

# Genie®



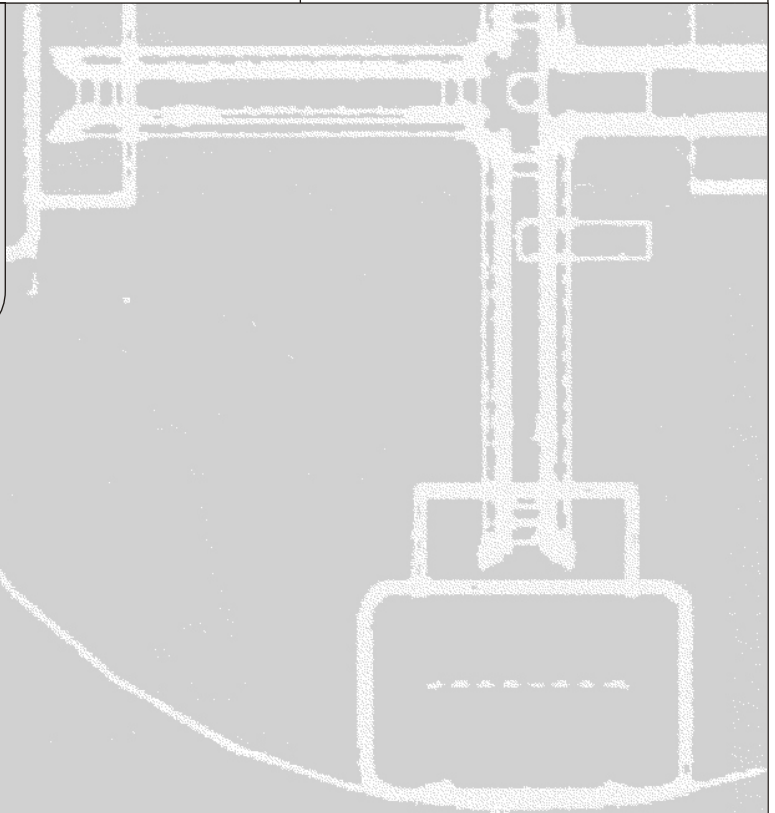
## Operator's Manual

*with Maintenance Information*

Fourth Edition  
Second Printing  
Part No. 1000190

**GS™-2668 RT**  
**GS™-3268 RT**

*CE Models*



---

## Important

Read, understand and obey these safety rules and operating instructions before operating this machine. Only trained and authorized personnel shall be permitted to operate this machine. This manual should be considered a permanent part of your machine and should remain with the machine at all times. If you have any questions, please call Genie Industries.

---

## Contents

	Page
Safety Rules .....	1
Legend .....	9
Controls .....	10
Pre-operation Inspection .....	12
Maintenance .....	14
Function Tests .....	17
Workplace Inspection .....	20
Operating Instructions .....	21
Transport and Lifting Instructions .....	27
Decals .....	30
Specifications .....	32

---

## Contact us:

Internet: <http://www.genielift.com>  
 e-mail: [techpub@genieind.com](mailto:techpub@genieind.com)

---

Copyright © 1998 by Genie Industries


First Edition: Ninth Printing, October 2000

Second Edition: Second Printing, March 2002

Third Edition: Second Printing, July 2004

Fourth Edition: Second Printing, February 2008

"Genie" is a registered trademark of Genie Industries in the U.S.A. and many other countries. "GS" is a trademark of Genie Industries.

 Printed on recycled paper

Printed in U.S.A.



# Safety Rules



---

## Danger

Failure to obey the instructions and safety rules in this manual will result in death or serious injury.

---

## Do Not Operate Unless:

- You learn and practice the principles of safe machine operation contained in this operator's manual.

### 1 Avoid hazardous situations.

**Know and understand the safety rules before going on to the next section.**

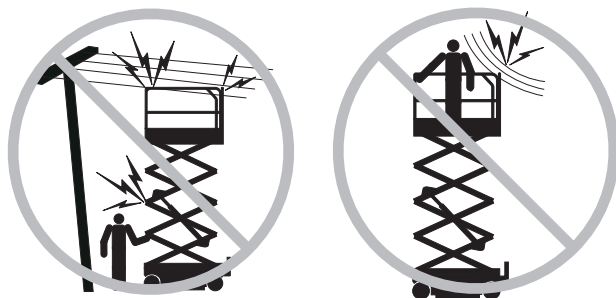
- 2 Always perform a pre-operation inspection.
- 3 Always perform function tests prior to use.
- 4 Inspect the workplace.
- 5 Only use the machine as it was intended.

- You read, understand and obey the manufacturer's instructions and safety rules—safety and operator's manuals and machine decals.
- You read, understand and obey employer's safety rules and worksite regulations.
- You read, understand and obey all applicable governmental regulations.
- You are properly trained to safely operate the machine.

## SAFETY RULES

**Electrocution Hazards**

This machine is not electrically insulated and will not provide protection from contact with or proximity to electrical current.



Maintain safe distances from electrical power lines and apparatus in accordance with applicable governmental regulations and the following chart.

<b>Voltage Phase to Phase</b>	<b>Minimum Safe Approach Distance Meters</b>
0 to 300V	Avoid Contact
300V to 50KV	3.05
50KV to 200KV	4.60
200KV to 350KV	6.10
350KV to 500KV	7.62
500KV to 750KV	10.67
750KV to 1000KV	13.72

Allow for platform movement, electrical line sway or sag and beware of strong or gusty winds.

Keep away from the machine if it contacts energized power lines. Personnel on the ground or in the platform must not touch or operate the machine until energized power lines are shut off.

Do not operate the machine during lightning or storms.

Do not use the machine as a ground for welding.

**Tip-over Hazards**

Occupants, equipment and materials shall not exceed the maximum platform capacity.

**Machine without capacity indicator:****Maximum capacity**

GS-2668 RT	567 kg
GS-3268 RT	454 kg

**Machine with capacity indicator:**

The maximum capacity varies with the height of the platform.

**Maximum capacity - GS-2668 RT**

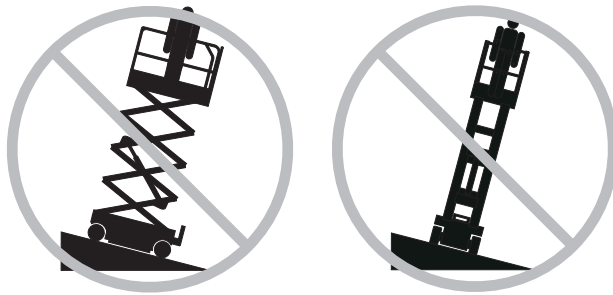
<b>Maximum capacity - GS-2668 RT</b>	
<b>Maximum occupants</b>	
	4
Height of Platform	Maximum Capacity
7.9 m	567 kg
6.8 m	835 kg
4.8 m	975 kg
2.7 m	835 kg
1.7 m	567 kg

**Maximum capacity - GS-3268 RT**

<b>Maximum capacity - GS-3268 RT</b>	
<b>Maximum occupants</b>	
Indoor use	4
Outdoor use	2
Height of Platform	Maximum Capacity
9.8 m	454 kg
7.6 m	850 kg
5.8 m	919 kg
2.7 m	690 kg
1.8 m	454 kg

SAFETY RULES

Do not raise the platform unless the machine is on a firm, level surface.



Do not depend on the tilt alarm as a level indicator. The tilt alarm sounds on the chassis and in the platform when the machine is on a severe slope.

If the tilt alarm sounds:  
Lower the platform. Move the machine to a firm, level surface. If the tilt alarm sounds when the platform is raised, use extreme caution to lower the platform.

Do not alter or disable the limit switches.

Do not drive over 0.8 km/h with the platform raised.

Use extreme care and slow speeds while driving the machine in the stowed position across uneven terrain, debris, unstable or slippery surfaces and near holes and drop-offs.

Do not drive the machine on a slope that exceeds the slope and side slope rating of the machine. Slope rating applies to machines in the stowed position.

**Maximum slope rating, stowed position**

GS-2668RT	40% (22°)
GS-3268RT, Diesel	35% (19°)
GS-3268RT, Gasoline/LPG	30% (17°)

**Maximum side slope rating, stowed position**

GS-2668RT	40% (22°)
GS-3268RT, Diesel	35% (19°)
GS-3268RT, Gasoline/LPG	30% (17°)

Note: Slope rating is subject to ground conditions and adequate traction.

Do not use the platform controls to free a platform that is caught, snagged or otherwise prevented from normal motion by an adjacent structure. All personnel must be removed from the platform before attempting to free the platform using the ground controls.

Do not push off or pull toward any object outside of the platform.

**Maximum manual force**

<b>GS-2668 RT</b>	
Indoor use - 4 person	400 N
Outdoor use - 4 person	400 N

<b>GS-3268 RT</b>	
Indoor use only - 4 person	400 N
Outdoor use - 2 person	400 N



## SAFETY RULES

Do not tie the platform to adjacent structures.

Do not place loads outside the platform perimeter.

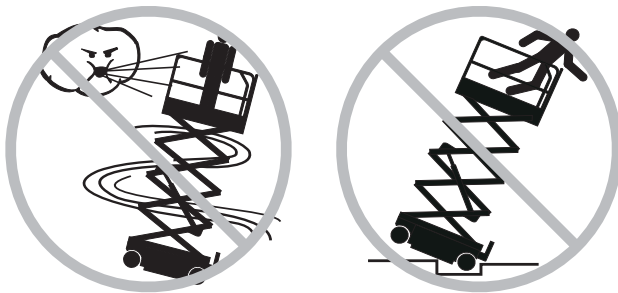
Do not alter or disable machine components that in any way affect safety and stability.

Do not modify or alter an aerial work platform without prior written permission from the manufacturer. Mounting attachments for holding tools or other materials onto the platform, toeboards or guard rail system can increase the weight in the platform and the surface area of the platform or the load.

Do not replace items critical to machine stability with items of different weight or specification.

Do not raise the platform when wind speeds may exceed 12.5 m/s. If wind speeds exceed 12.5 m/s when the platform is raised, lower the platform and do not continue to operate the machine.

Do not operate the machine in strong or gusty winds. Do not increase the surface area of the platform or the load. Increasing the area exposed to the wind will decrease machine stability.



Do not drive the machine on or near uneven terrain, unstable surfaces or other hazardous conditions with the platform raised.

Do not place or attach fixed or overhanging loads to any part of this machine.



Do not place ladders or scaffolds in the platform or against any part of this machine.

Do not transport tools and materials unless they are evenly distributed and can be safely handled by person(s) in the platform.

Do not use the machine on a moving or mobile surface or vehicle.

Be sure all tires are in good condition, castle nuts are properly tightened and cotter pins are properly installed.

Do not use the machine as a crane.

Do not push the machine or other objects with the platform.

Do not contact adjacent structures with the platform.

## SAFETY RULES

**Fall Hazards**

The guard rail system provides fall protection. If occupant(s) of the platform are required to wear personal fall protection equipment (PFPE) due to job site or employer rules, PFPE equipment and its use shall be in accordance with the PFPE manufacturer's instructions and applicable governmental requirements.

Do not sit, stand or climb on the platform guard rails. Maintain a firm footing on the platform floor at all times.

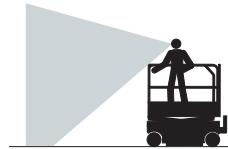


Do not climb down from the platform when raised.

Keep the platform floor clear of debris.

Close the entry gate before operating.

Do not operate the machine unless the guard rails are properly installed and the entry is secured for operation.

**Collision Hazards**

Be aware of limited sight distance and blind spots when driving or operating.

Be aware of the extended platform position when moving the machine.

The machine must be on a level surface or secured before releasing the brakes.

Operators must comply with employer, job site and governmental rules regarding use of personal protective equipment.

Check the work area for overhead obstructions or other possible hazards.



Be aware of crushing hazards when grasping the platform guard rail.

Observe and use color-coded direction arrows on the platform controls and platform decal plate for drive and steer functions.

Do not operate a machine in the path of any crane or moving overhead machinery unless the controls of the crane have been locked out and/or precautions have been taken to prevent any potential collision.

## SAFETY RULES

No stunt driving or horseplay while operating a machine.

Do not lower the platform unless the area below is clear of personnel and obstructions.



Limit travel speed according to the condition of the ground surface, congestion, slope, location of personnel and any other factors which may cause collision.

### Bodily Injury Hazard

Always operate the machine in a well-ventilated area to avoid carbon monoxide poisoning.

Do not operate the machine with a hydraulic oil or air leak. An air leak or hydraulic leak can penetrate and/or burn skin.

Improper contact with components under any cover will cause serious injury. Only trained maintenance personnel should access compartments. Access by the operator is only advised when performing a pre-operation inspection. All compartments must remain closed and secured during operation.

### Component Damage Hazards

Do not use any battery or charger greater than 12V to jump-start the engine.

Do not use the machine as a ground for welding.

### Explosion and Fire Hazards

Do not start the engine if you smell or detect liquid petroleum gas (LPG), gasoline, diesel fuel or other explosive substances.

Do not refuel the machine with the engine running.

Refuel the machine and charge the battery only in an open, well-ventilated area away from sparks, flames and lighted tobacco.

Do not operate the machine in hazardous locations or locations where potentially flammable or explosive gases or particles may be present.

Do not spray ether into engines equipped with glow plugs.

### Damaged Machine Hazards

Do not use a damaged or malfunctioning machine.

Conduct a thorough pre-operation inspection of the machine and test all functions before each work shift. Immediately tag and remove from service a damaged or malfunctioning machine.

Be sure all maintenance has been performed as specified in this manual and the appropriate Genie service manual.

Be sure all decals are in place and legible.

Be sure the operator's, safety and responsibilities manuals are complete, legible and in the storage container located on the platform.



## SAFETY RULES

## Crushing Hazards

Keep hands and limbs out of scissors.

Use common sense and planning when operating the machine with the controller from the ground. Maintain safe distances between the operator, the machine and fixed objects.

Maintain a firm grasp on the platform rail when pulling the rail pins. Do not allow the platform guard rails to fall.

## Outrigger Safety

---

### Tip-over Hazards

Do not lower the outriggers unless the machine is on a firm surface. Avoid drop-offs, holes, unstable or slippery surfaces and other possible hazardous conditions.

When the auto level function is not being used and the outriggers are being lowered individually, the steer-end outriggers must be lowered first.

Do not raise the platform unless the machine is level. Do not set the machine up on a surface where it cannot be leveled using only the outriggers.

Do not raise the platform unless all four outriggers are properly lowered, the footpads are in firm contact with the ground and the machine is level.

Do not adjust the outriggers while the platform is raised.

Do not drive while the outriggers are lowered.

## Battery Safety

---

### Burn Hazards

Batteries contain acid. Always wear protective clothing and eye wear when working with batteries.

Avoid spilling or contacting battery acid. Neutralize battery acid spills with baking soda and water.

### Explosion Hazard

Keep sparks, flames and lighted tobacco away from batteries. Batteries emit explosive gas.

### Electrocution Hazard

Avoid contact with electrical terminals.

## Decal Legend

Genie product decals use symbols, color coding and signal words to identify the following:



Safety alert symbol—used to alert personnel to potential personal injury hazards. Obey all safety messages that follow this symbol to avoid possible injury or death.



Red—used to indicate the presence of an imminently hazardous situation which, if not avoided, will result in death or serious injury.



Orange—used to indicate the presence of a potentially hazardous situation which, if not avoided, could result in death or serious injury.



Yellow with safety alert symbol—used to indicate the presence of a potentially hazardous situation which, if not avoided, may cause minor or moderate injury.

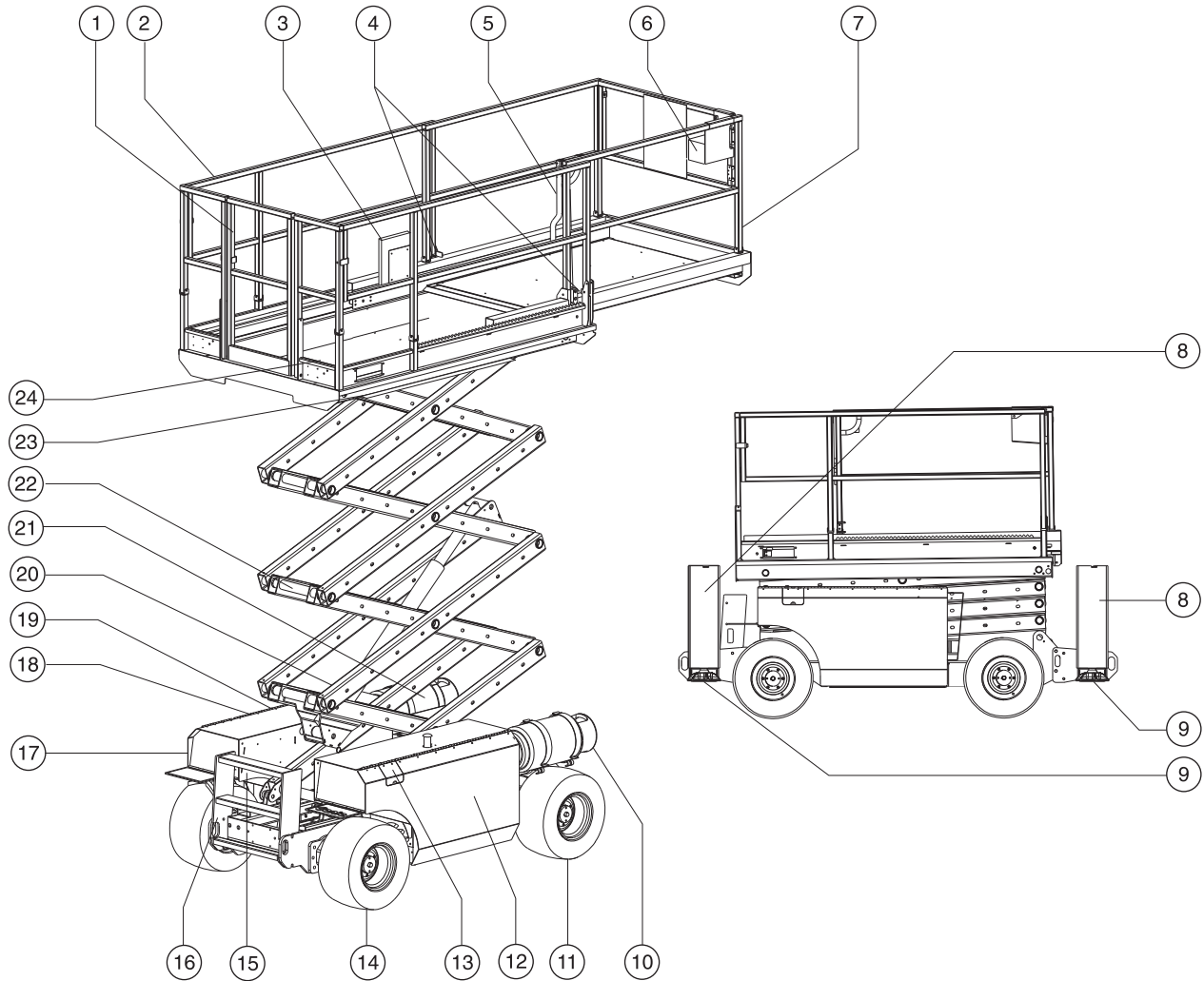


Yellow without safety alert symbol—used to indicate the presence of a potentially hazardous situation which, if not avoided, may result in property damage.



Green—used to indicate operation or maintenance information.

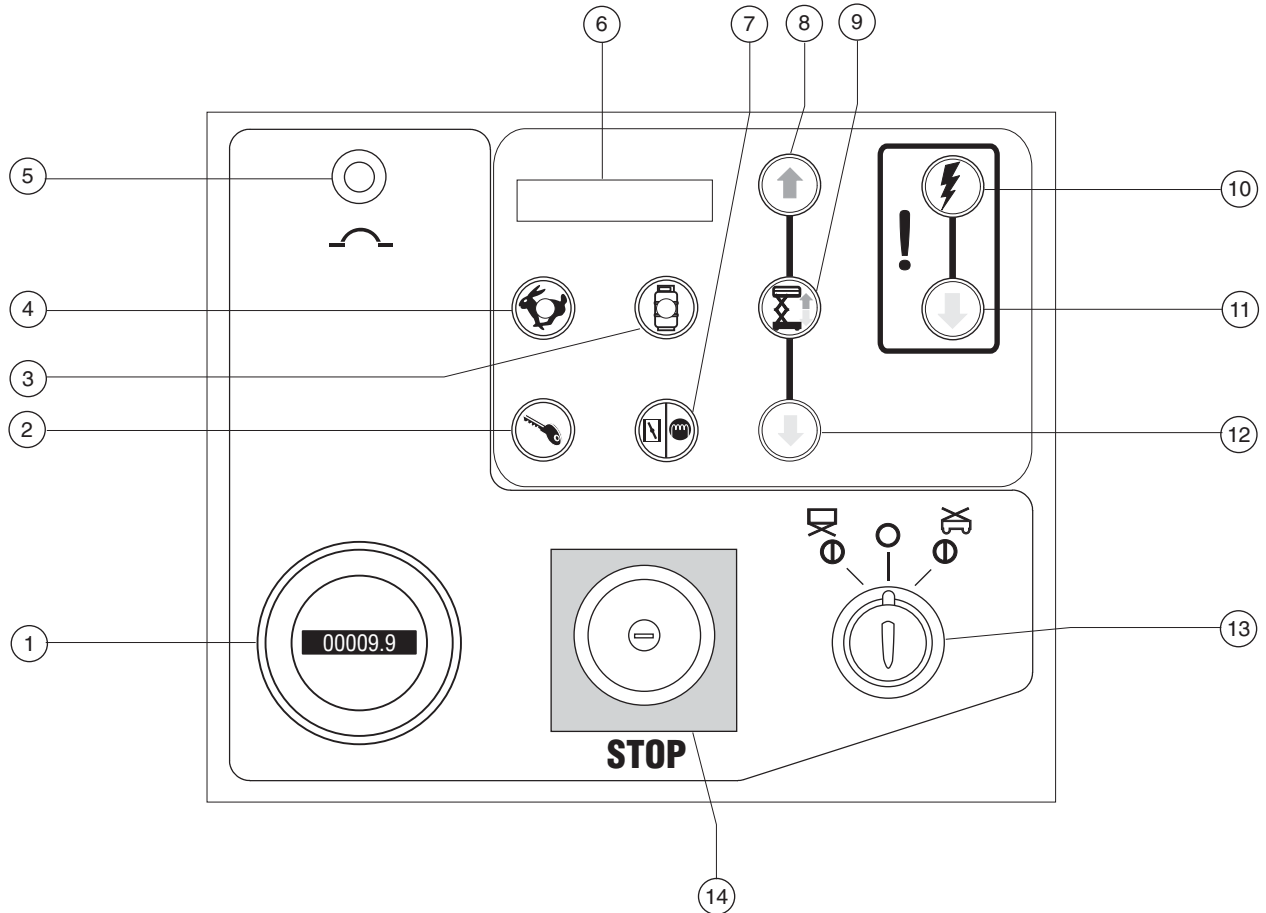
# Legend



- |   |  |  |
|---|--|--|
| 1 Platform entry gate                             | 10 LPG tank                                | 19 Hydraulic oil level indicator (under cover)                                       |
| 2 Platform guard rails                            | 11 Steer tire                              | 20 Brake release pump knob and brake release knob (hidden from view in this picture) |
| 3 Manual storage container                        | 12 Engine side cover                       | 21 LPG tank (optional)   |
| 4 Lanyard anchorage point                         | 13 Fuel tank                               | 22 Safety arm  |
| 5 Platform extension lock handle                  | 14 Non-steer tire                          | 23 Capacity indicator (if equipped)  |
| 6 Platform controls                               | 15 Tilt alarm (under cover)                | 24 GFCI outlet   |
| 7 Platform extension                              | 16 Entry ladder/transport tie-down         |  |
| 8 Outrigger housing (if equipped with outriggers) | 17 Ground controls with LCD readout screen |  |
| 9 Outrigger footpad (if equipped with outriggers) | 18 Ground controls side cover              |  |



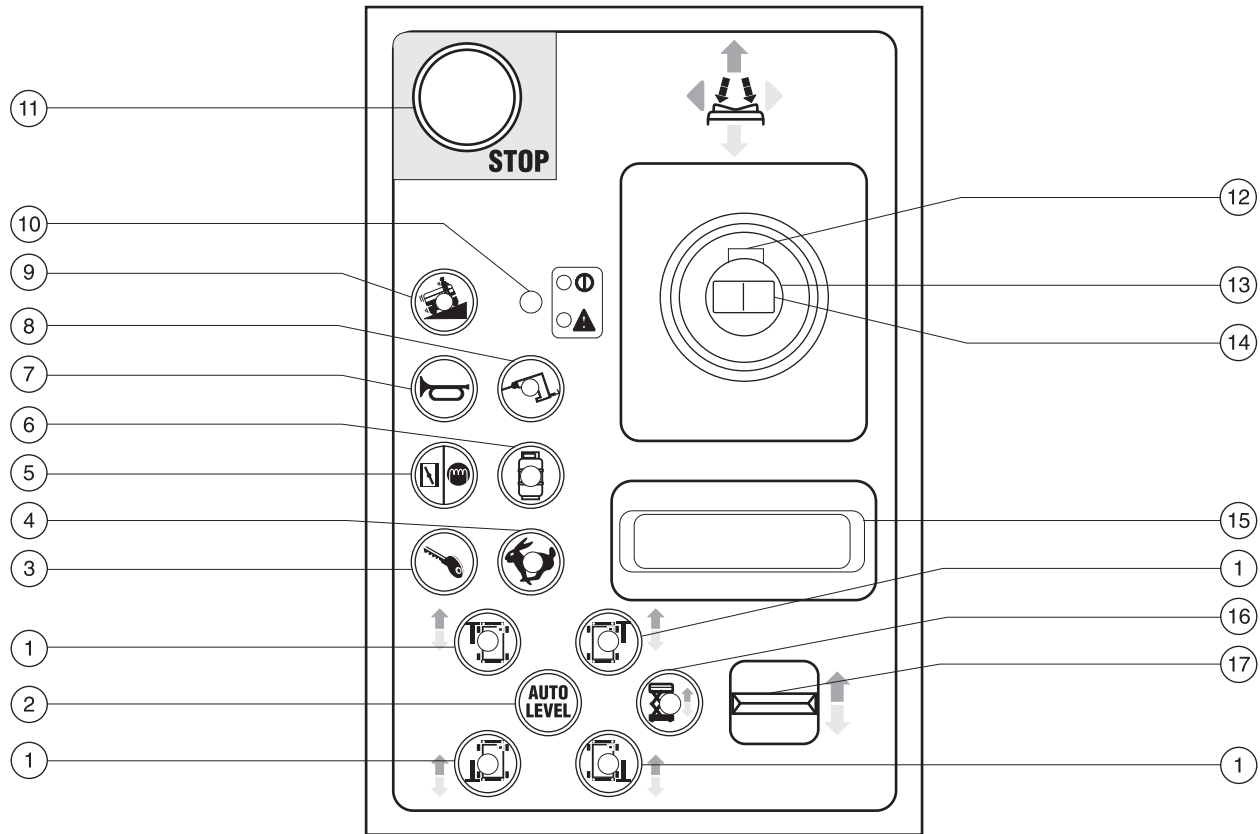
# Controls



## Ground Control Panel

- |   |  |    |  |
|---|--|----|--|
| 1 | Hour meter   | 8  | Platform up button                                   |
| 2 | Engine start button  | 9  | Lift function enable button                          |
| 3 | Gasoline/LPG models: LPG select button with indicator light          | 10 | Backup auxiliary function enable button              |
| 4 | Engine idle select button with indicator light                       | 11 | Backup auxiliary down button                         |
| 5 | 20 amp circuit breaker for controls circuit                          | 12 | Platform down button                                 |
| 6 | LCD readout screen   | 13 | Key switch for platform/off/ground control selection |
| 7 | Gasoline/LPG models: Choke button<br>Diesel models: Glow plug button | 14 | Red Emergency Stop button                            |

CONTROLS



**Platform Controls**

- |   |   |  |
|---|---|--|
| <p>1 Outrigger function enable button with indicator light</p> <p>2 Outrigger auto level button</p> <p>3 Engine start button</p> <p>4 Engine idle select button with indicator light</p> <p>5 Gasoline/LPG models: Choke button<br/>Diesel models: Glow plug button</p> <p>6 Gasoline/LPG models: LPG operation button with indicator light</p> | <p>7 Horn button</p> <p>8 Generator select button with indicator light</p> <p>9 Machine on incline button with indicator light: Low speed operation for inclines</p> <p>10 Green power light/<br/>Red error indicator light</p> <p>11 Red Emergency Stop button</p> <p>12 Function enable switch</p> <p>13 Proportional control handle for drive function</p> | <p>14 Thumb rocker switch for steer function</p> <p>15 Wrist rest</p> <p>16 Lift function enable button with indicator light</p> <p>17 Proportional rocker switch for outrigger up/down and platform up/down</p> |
|---|---|--|



# Pre-operation Inspection



---

## Do Not Operate Unless:

- You learn and practice the principles of safe machine operation contained in this operator's manual.

- 1 Avoid hazardous situations.

### **2 Always perform a pre-operation inspection.**

**Know and understand the pre-operation inspection before going on to the next section.**

- 3 Always perform function tests prior to use.
- 4 Inspect the workplace.
- 5 Only use the machine as it was intended.

## Fundamentals

It is the responsibility of the operator to perform a pre-operation inspection and routine maintenance.

The pre-operation inspection is a visual inspection performed by the operator prior to each work shift. The inspection is designed to discover if anything is apparently wrong with a machine before the operator performs the function tests.

The pre-operation inspection also serves to determine if routine maintenance procedures are required. Only routine maintenance items specified in this manual may be performed by the operator.

Refer to the list on the next page and check each of the items.

If damage or any unauthorized variation from factory delivered condition is discovered, the machine must be tagged and removed from service.

Repairs to the machine may only be made by a qualified service technician, according to the manufacturer's specifications. After repairs are completed, the operator must perform a pre-operation inspection again before going on to the function tests.

Scheduled maintenance inspections shall be performed by qualified service technicians, according to the manufacturer's specifications and the requirements listed in the responsibilities manual.

## PRE-OPERATION INSPECTION

## Pre-operation Inspection

---

- Be sure that the operator's, safety and responsibilities manuals are complete, legible and in the storage container located in the platform.
- Be sure that all decals are legible and in place. See Decals section.
- Check for engine oil leaks and proper oil level. Add oil if needed. See Maintenance section.
- Check for hydraulic oil leaks and proper oil level. Add oil if needed. See Maintenance section.
- Check for engine coolant leaks and proper level of coolant. Add coolant if needed. See Maintenance section.
- Check for battery fluid leaks and proper fluid level. Add distilled water if needed. See Maintenance section.

Check the following components or areas for damage, improperly installed or missing parts and unauthorized modifications:

- Electrical components, wiring and electrical cables
- Hydraulic hoses, fittings, cylinders and manifolds
- Fuel and hydraulic tanks
- Drive motors
- Wear pads
- Tires and wheels
- Engine and related components
- Limit switches, alarms and horn
- Platform overload components

- Nuts, bolts and other fasteners
- Platform entry gate
- Beacon and alarms (if equipped)
- Brake release components
- Safety arm
- Platform extension
- Scissor pins and retaining fasteners
- Platform control joystick
- Generator (if equipped)
- Outrigger housings and footpads (if equipped)

Check entire machine for:

- Cracks in welds or structural components
- Dents or damage to machine
- Excessive rust, corrosion or oxidation
- Be sure that all structural and other critical components are present and all associated fasteners and pins are in place and properly tightened
- Side rails are installed and snap pins and bolts are fastened

# Maintenance



## Observe and Obey:

- ☑ Only routine maintenance items specified in this manual shall be performed by the operator.
- ☑ Scheduled maintenance inspections shall be completed by qualified service technicians, according to the manufacturer's specifications and the requirements specified in the responsibilities manual.

## Maintenance Symbols Legend

### NOTICE

The following symbols have been used in this manual to help communicate the intent of the instructions. When one or more of the symbols appear at the beginning of a maintenance procedure, it conveys the meaning below.



Indicates that tools will be required to perform this procedure.



Indicates that new parts will be required to perform this procedure.



Indicates that a cold engine is required before performing this procedure.

## Check the Engine Oil Level



Maintaining the proper engine oil level is essential to good engine performance and service life. Operating the machine with an improper oil level can damage engine components.

### NOTICE

Check the oil level with the engine off.

- 1 Check the oil level dipstick. Add oil as needed.

---

### Kubota DF 752-E2 Engine

---

Oil Type	SAE 10W to 10W-30
----------	-------------------

---

### Kubota D-905 Engine

---

Oil Type	SAE 10W to 10W-30
----------	-------------------

---

### Perkins 403C-11

---

Oil Type	SAE 15W-40
----------	------------

---



## MAINTENANCE

## Check the Hydraulic Oil Level



Maintaining the hydraulic oil at the proper level is essential to machine operation. Improper hydraulic oil levels can damage hydraulic components. Daily checks allow the inspector to identify changes in oil level that might indicate the presence of hydraulic system problems.

**NOTICE** Perform this procedure with the platform in the stowed position and the engine off.

- 1 Visually inspect the sight gauge located on the side of the hydraulic oil tank.
- ⦿ Result: The hydraulic oil level should be within the top 5 cm of the sight gauge.
- 2 Add oil if necessary. Do not overfill.

---

### Hydraulic oil specifications

---

Hydraulic oil type	Chevron Rykon Premium MV equivalent
--------------------	--

---

## Check the Batteries



Proper battery condition is essential to good engine performance and operational safety. Improper fluid levels or damaged cables and connections can result in engine component damage and hazardous conditions.

**NOTICE** This procedure does not need to be performed on machines with sealed or maintenance-free batteries.

**⚠ WARNING** Electrocutation hazard. Contact with hot or live circuits may result in death or serious injury. Remove all rings, watches and other jewelry.

**⚠ WARNING** Bodily injury hazard. Batteries contain acid. Avoid spilling or contacting battery acid. Neutralize battery acid spills with baking soda and water.

- 1 Put on protective clothing and eye wear.
- 2 Be sure that the battery cable connections are tight and free of corrosion.
- 3 Be sure that the battery hold-down brackets are secure.
- 4 Remove the battery vent caps.
- 5 Check the battery acid level. If needed, replenish with distilled water to the bottom of the battery fill tube. Do not overfill.
- 6 Install the vent caps.

**NOTICE** Adding terminal protectors and a corrosion preventative sealant will help eliminate corrosion on the battery terminals and cables.

## MAINTENANCE

## Check the Engine Coolant Level



Maintaining the engine coolant at the proper level is essential to engine service life. Improper coolant level will affect the engine's cooling capability and damage engine components. Daily checks will allow the inspector to identify changes in coolant level that might indicate cooling system problems.

- 1 Check the fluid level in the coolant recovery tank. Add fluid as needed.

**⚠ WARNING** Bodily injury hazard. Fluids in the radiator are under pressure and extremely hot. Use caution when removing cap and adding fluids.

## Scheduled Maintenance

Maintenance performed quarterly, annually and every two years must be completed by a person trained and qualified to perform maintenance on this machine according to the procedures found in the service manual for this machine.

Machines that have been out of service for more than three months must receive the quarterly inspection before they are put back into service.

# Function Tests



## Do Not Operate Unless:

- ☑ You learn and practice the principles of safe machine operation contained in this operator's manual.

- 1 Avoid hazardous situations.
- 2 Always perform a pre-operation inspection.

### 3 Always perform function tests prior to use.

### Know and understand the function tests before going on to the next section.

- 4 Inspect the workplace.
- 5 Only use the machine as it was intended.

## Fundamentals

The function tests are designed to discover any malfunctions before the machine is put into service. The operator must follow the step-by-step instructions to test all machine functions.

A malfunctioning machine must never be used. If malfunctions are discovered, the machine must be tagged and removed from service. Repairs to the machine may only be made by a qualified service technician, according to the manufacturer's specifications.

After repairs are completed, the operator must perform a pre-operation inspection and function tests again before putting the machine into service.

- 1 Select a test area that is firm, level and free of obstruction.

## At the Ground Controls

- 2 Pull out the platform and ground red Emergency Stop buttons to the on position.
- 3 Turn the key switch to ground control.
- ⦿ Result: The LCD screen will come on and display `SYSTEM READY`.

Note: In cold climates, the LCD readout screen will need to warm up before the display appears.

- 4 Start the engine. See Operating Instructions section.

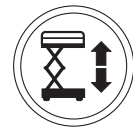
## Test Emergency Stop

- 5 Push in the ground red Emergency Stop button to the off position.
- ⦿ Result: The engine should turn off and no functions should operate.
- 6 Pull out the red Emergency Stop button to the on position and restart the engine.

## Test the Up/Down Functions

The audible warnings on this machine and the standard horn all come from the same central alarm. The horn is a constant tone. The descent alarm sounds at 60 beeps per minute. The alarm that goes off when the machine is not level sounds at 180 beeps per minute.

- 7 Do not push the lift function enable button. Push and hold the platform up button.



- ⦿ Result: The platform should not raise.
- 8 Push and hold the lift function enable button. Push and hold the platform up button.
- ⦿ Result: The platform should raise.

## FUNCTION TESTS

- 9 Push and hold the lift function enable button.  
Push and hold the platform down button.
- ⦿ Result: The platform should lower. The descent alarm should sound while the platform is lowering.

**Test the Auxiliary Lowering**

- 10 Push and hold the lift function enable button and raise the platform approximately 60 cm.
- 11 Push in the red Emergency Stop button to shut off the engine.
- 12 Pull out the red Emergency Stop button to the on position.
- 13 Push and hold the lift function enable button.  
Push and hold the platform down button.
- ⦿ Result: The platform should lower.
- 14 Turn the key switch to platform control and restart the engine.

**At the Platform Controls****Test Emergency Stop**

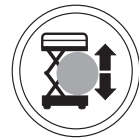
- 15 Push in the platform red Emergency Stop button to the off position.
- ⦿ Result: The engine should shut off and no functions should operate.
- 16 Pull the red Emergency Stop button out to the on position.
- ⦿ Result: The indicator light should be green.

**Test the Horn**

- 17 Push the horn button.
- ⦿ Result: The horn should sound.

**Test Up/Down Functions and Function Enable**

- 18 Start the engine.
- 19 Activate the up/down rocker switch in the direction indicated by the blue arrow.
- ⦿ Result: The platform should not raise.
- 20 Push and hold the lift function enable button.
- 21 Activate the up/down rocker switch in the direction indicated by the blue arrow.
- ⦿ Result: The platform should raise.
- 22 Push and hold the lift function enable button.
- 23 Activate the up/down rocker switch in the direction indicated by the yellow arrow.
- ⦿ Result: The platform should lower. The descent alarm should sound while the platform is lowering.

**Test the Steering**

- Note: When performing the steer and drive function tests, stand in the platform facing the steer end of the machine.
- 24 Press and hold the function enable switch on the control handle.
- 25 Depress the thumb rocker switch on top of the control handle in the direction identified by the blue triangle on the control panel.
- ⦿ Result: The steer wheels should turn in the direction that the blue triangle points on the control panel.
- 26 Depress the thumb rocker switch in the direction identified by the yellow triangle on the control panel.
- ⦿ Result: The steer wheels should turn in the direction that the yellow triangle points on the control panel.

## FUNCTION TESTS

**Test Drive and Braking**

- 27 Press and hold the function enable switch on the control handle.
- 28 Slowly move the control handle in the direction indicated by the blue arrow on the control panel until the machine begins to move, then return the handle to the center position.
- ⦿ Result: The machine should move in the direction that the blue arrow points on the control panel, then come to an abrupt stop.
- 29 Press and hold the function enable switch on the control handle.
- 30 Slowly move the control handle in the direction indicated by the yellow arrow on the control panel until the machine begins to move, then return the handle to the center position.
- ⦿ Result: The machine should move in the direction that the yellow arrow points on the control panel, then come to an abrupt stop.

Note: The brakes must be able to hold the machine on any slope it is able to climb.

**Test Limited Drive Speed**

- 31 Push and hold the lift function enable button. Raise the platform approximately 1.8 m from the ground.
- 32 Press and hold the function enable switch on the control handle.
- 33 Slowly move the control handle to the full drive position.
- ⦿ Result: The maximum achievable drive speed with the platform raised should not exceed 22 cm/s.

If the drive speed with the platform raised exceeds 22 cm/s, immediately tag and remove the machine from service.

**Test the Tilt Sensor Operation**

Note: Perform this test from the ground with the platform controller. Do not stand in the platform.

- 34 Fully lower the platform.
- 35 Drive both wheels on one side onto a 10 cm block or onto a curb.
- 36 Raise the platform at least 1.8 m.
- ⦿ Result: The platform should stop and the tilt alarm will sound at 180 beeps per minute. The indicator light on the lift function enable button will be red.
- 37 Move the drive control handle in the direction indicated by the blue arrow, then move the drive control handle in the direction indicated by the yellow arrow.
- ⦿ Result: The drive function should not work in either direction.
- 38 Lower the platform and drive the machine off the block.

**Test the Auxiliary Lowering**

- 39 Push and hold the lift function enable button and raise the platform approximately 60 cm.
- 40 Push in the red Emergency Stop button to shut off the engine.
- 41 Pull out the red Emergency Stop button to the on position.
- 42 Push and hold the lift function enable button. Activate the up/down rocker switch in the direction indicated by the yellow arrow.
- ⦿ Result: The platform should lower.

# Workplace Inspection



## Do Not Operate Unless:

- You learn and practice the principles of safe machine operation contained in this operator's manual.
  - 1 Avoid hazardous situations.
  - 2 Always perform a pre-operation inspection.
  - 3 Always perform function tests prior to use.
  - 4 Inspect the workplace.**

**Know and understand the workplace inspection before going on to the next section.**

  - 5 Only use the machine as it was intended.

## Workplace Inspection

Be aware of and avoid the following hazardous situations:

- drop-offs or holes
- bumps, floor obstructions or debris
- sloped surfaces
- unstable or slippery surfaces
- overhead obstructions and high voltage conductors
- hazardous locations
- inadequate surface support to withstand all load forces imposed by the machine
- wind and weather conditions
- the presence of unauthorized personnel
- other possible unsafe conditions

## Fundamentals

The workplace inspection helps the operator determine if the workplace is suitable for safe machine operation. It should be performed by the operator prior to moving the machine to the workplace.

It is the operator's responsibility to read and remember the workplace hazards, then watch for and avoid them while moving, setting up and operating the machine.

# Operating Instructions



---

## Do Not Operate Unless:

- You learn and practice the principles of safe machine operation contained in this operator's manual.
  - 1 Avoid hazardous situations.
  - 2 Always perform a pre-operation inspection.
  - 3 Always perform function tests prior to use.
  - 4 Inspect the workplace.
  - 5 **Only use the machine as it was intended.**

## Fundamentals

The Operating Instructions section provides instructions for each aspect of machine operation. It is the operator's responsibility to follow all the safety rules and instructions in the operator's, safety and responsibilities manuals.

Using the machine for anything other than lifting personnel, along with their tools and materials, to an aerial work site is unsafe and dangerous.

Only trained and authorized personnel should be permitted to operate a machine. If more than one operator is expected to use a machine at different times in the same work shift, they must all be qualified operators and are all expected to follow all safety rules and instructions in the operator's, safety and responsibilities manuals. That means every new operator should perform a pre-operation inspection, function tests, and a workplace inspection before using the machine.

## OPERATING INSTRUCTIONS

**Emergency Stop**

Push in the red Emergency Stop button to the off position at the ground controls or the platform controls to stop all machine functions and turn the engine off.

Repair any function that operates when either red Emergency Stop button is pushed in.

**Starting the Engine**

- 1 At the ground controls, turn the key switch to the desired position.
- 2 Be sure both ground and platform control red Emergency Stop buttons are pulled out to the on position.

**Gasoline/LPG models**

- 3 Select LPG by pushing the LPG button.
- 4 Push the engine start button.

Note: In cold conditions, 20°F / -6°C and below, the machine should be started on gasoline and warmed for 2 minutes, then switched to LPG. Warm engines can be started on LPG.

**Diesel models**

- 3 Push the engine start button.

Note: In cold conditions, 50°F / 10°C and below, push and hold the glow plug button for 5 to 10 seconds before starting the engine. Limit continuous use of the glow plug button to 20 seconds.

**All models**

If the engine fails to start after 15 seconds of cranking, determine the cause and repair any malfunction. Wait 60 seconds before trying to start again.

In cold conditions, 20°F / -6°C and below, warm the engine for 5 minutes before operating to prevent hydraulic system damage.

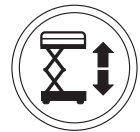
In extreme cold conditions, 0°F / -18°C and below, machines should be equipped with optional cold start kits. Attempting to start the engine when temperatures are below 0°F / -18°C may require the use of a booster battery.

**Operation From Ground**

- 1 Turn the key switch to ground control.
- 2 Pull out both ground and platform red Emergency Stop buttons to the on position.
- 3 Start the engine.

**To Position Platform**

- 1 Push and hold the lift function enable button.
- 2 Activate the up function or the down function.



Drive and steer functions are not available from the ground controls.

**Engine Idle Select**

Select the engine idle (rpm) by pressing the idle select button. There are three settings for engine idle.

- Indicator light off: low idle
- Indicator light on: high idle





## OPERATING INSTRUCTIONS

**Operation From Platform**

- 1 Turn the key switch to platform control.
- 2 Pull out the ground and platform red Emergency Stop button to the on position.
- 3 Start the engine.

**To Position Platform**

- 1 Push and hold the lift function enable button.
- 2 Activate the up/down rocker switch in the desired direction.

**To Steer**

- 1 Press and hold the function enable switch on the control handle.
- 2 Turn the steer wheels with the thumb rocker switch located on the top of the control handle.

**To Drive**

- 1 Press and hold the function enable switch on the control handle.
- 2 Increase speed: Slowly move the control handle off center.

Decrease speed: Slowly move the control handle toward center.

Stop: Return the control handle to center or release the function enable switch.

Use the color-coded direction arrows on the platform controls and on the platform to identify the direction the machine will travel.

Machine travel speed is restricted when the platform is raised.

**Drive Select Button**

Machine on incline symbol:  
Low range operation for inclines

**Indicator Light On Red**

If the indicator light is on red, push in and pull out the red Emergency Stop button to reset the system.

If the light stays red, tag and remove the machine from service.

**Indicator Light Flashing Red**

If the indicator light is flashing red, the platform is overloaded and no functions will operate. An alarm will sound at the platform controls.

Remove weight from the platform.

Push in and pull out the red Emergency Stop button to reset the system.

If the platform is still overloaded, the light will continue to flash.

## OPERATING INSTRUCTIONS

### Driving on a slope

Determine the slope and side slope ratings for the machine and determine the slope grade.



#### GS-2668 RT

**Maximum slope rating, stowed position** 40% (22°)



**Maximum side slope rating, stowed position** 40% (22°)



#### GS-3268 RT

**Maximum slope rating, stowed**  
 Diesel model 35% (19°)  
 Gasoline/LPG model 30% (17°)



**Maximum side slope rating, stowed**  
 Diesel model 35% (19°)  
 Gasoline/LPG model 30% (17°)

Note: Slope rating is subject to ground conditions and adequate traction.

### To determine the slope grade:

Measure the slope with a digital inclinometer OR use the following procedure.

You will need:

- carpenter's level
- straight piece of wood, at least 3 feet / 1 m long
- tape measure

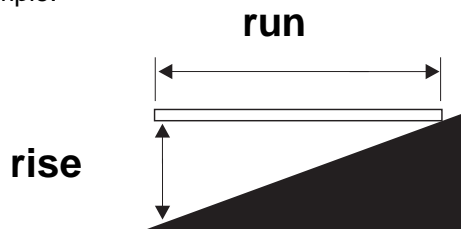
Lay the piece of wood on the slope.

At the downhill end, lay the level on the top edge of the piece of wood and lift the end until the piece of wood is level.

While holding the piece of wood level, measure the distance from the bottom of the piece of wood to the ground.

Divide the tape measure distance (rise) by the length of the piece of wood (run) and multiply by 100.

Example:



$$\text{Run} = 12 \text{ ft (144 in) / 3.6 m}$$

$$\text{Rise} = 12 \text{ in/ 0.3 m}$$

$$12 \text{ in} \div 144 \text{ in} = 0.083 \times 100 = 8.3\%$$

$$0.3 \text{ m} \div 3.6 \text{ m} = 0.083 \times 100 = 8.3\%$$

If the slope exceeds the maximum slope or side slope rating, then the machine must be winched or transported up or down the slope. See Transport and Lifting section.

## OPERATING INSTRUCTIONS

## To Extend and Retract Platform (Manual Platform Extension)

- 1 Lift the platform extension lock handle to the horizontal position.
- 2 Push the platform extension lock handle to extend the platform to the desired position.

Do not stand on the platform extension while trying to extend it.

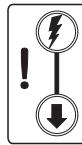
- 3 Lower the platform extension lock handle.

## Auxiliary Lowering

### At the Ground Controls

Push and hold the lift function enable button and activate the down function.

In the event of a power failure, use the backup auxiliary lowering function.



### At the Platform Controls

Push and hold the lift function enable button and activate the up/down rocker switch in the down direction.

## Operation From Ground with Controller


Maintain safe distances between the operator, the machine and fixed objects.


Be aware of the direction the machine will travel when using the controller.

## Outrigger Operation (if equipped)

- 1 Position the machine below the desired work area.

Note: The engine must be running for the outriggers to operate.

- 2 Push and hold the auto level button. 
- 3 Activate the up/down rocker switch in the down direction. The outriggers will extend and level the machine. A beep will sound when the machine is level.

The indicator light on the lift function enable button will turn red when one but not all outriggers are down. All drive and lift functions are disabled. 

The light turns green on the lift function enable button and on the individual outrigger buttons when all the outriggers are in firm contact with the ground.

The drive function is disabled while the outriggers are down.

### To control individual outriggers

- 1 Push and hold one or more outrigger buttons.
- 2 Activate the outrigger up/down rocker switch in the desired direction to level the machine.

## OPERATING INSTRUCTIONS

### Fall Protection

Personal fall protection equipment (PFPE) is not required when operating this machine. If PFPE is required by job site or employer rules, the following shall apply:

All PFPE must comply with applicable governmental regulations and must be inspected and used in accordance with the manufacturer's instructions.

### After Each Use

- 1 Select a safe parking location—firm level surface, clear of obstructions and traffic.
- 2 Lower the platform.
- 3 Turn the key switch to the off position and remove the key to secure from unauthorized use.
- 4 Chock the wheels.

# Transport and Lifting Instructions



## Observe and Obey:

- ☑ Genie Industries provides this securement information as a recommendation. Drivers are solely responsible for making sure machines are properly secured and the correct trailer is selected pursuant to US Department of Transportation regulations, other localized regulations, and their company policy.
- ☑ Genie customers needing to containerize any lift or Genie product should source a qualified freight forwarder with expertise in preparing, loading and securing construction and lifting equipment for international shipment.
- ☑ Only qualified aerial lift operators should move the machine on or off the truck.
- ☑ The transport vehicle must be parked on a level surface.
- ☑ The transport vehicle must be secured to prevent rolling while the machine is being loaded.
- ☑ Be sure the vehicle capacity, loading surfaces and chains or straps are sufficient to withstand the machine weight. Genie lifts are very heavy relative to their size. See the serial plate for the machine weight. See the Decals section for the serial plate location.
- ☑ If the slope of the transport vehicle bed exceeds the uphill or downhill maximum slope rating, the machine must be loaded and unloaded using a winch as described. See the Specifications section for the slope ratings.

## Brake Release Operation



- 1 Chock the wheels to prevent the machine from rolling.
- 2 Be sure the winch line is properly secured to the drive chassis tie points and the path is clear of all obstructions.
- 3 Push in the brake release knob to open the brake valve.
- 4 Pump the brake release pump knob.

After the machine is loaded:

- 1 Chock the wheels to prevent the machine from rolling.
- 2 Press and hold the function enable switch on the control handle. Move the control handle off center to reset the brakes.

Towing the Genie GS-2668 RT or the GS-3268 RT is not recommended. If the machine must be towed, do not exceed 3.2 km/h.

## TRANSPORT AND LIFTING INSTRUCTIONS

**Securing to Truck or Trailer for Transit**

Always chock the machine wheels in preparation for transport.

Retract and secure the extension deck.

Use the tie-down points on the chassis for anchoring down to the transport surface.

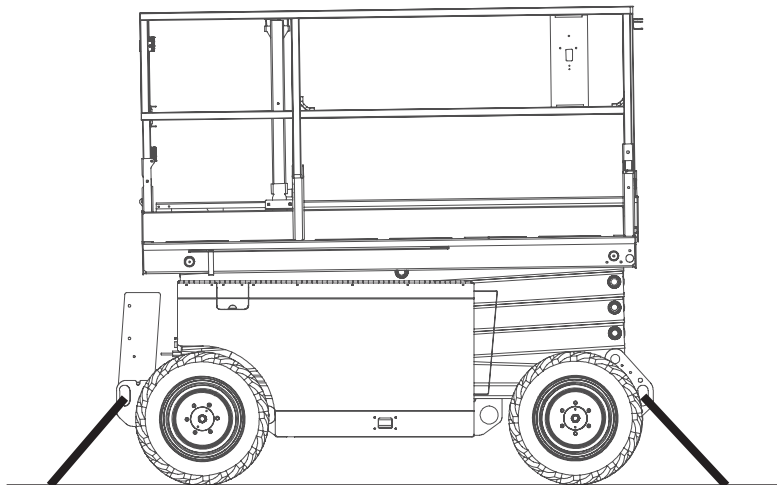
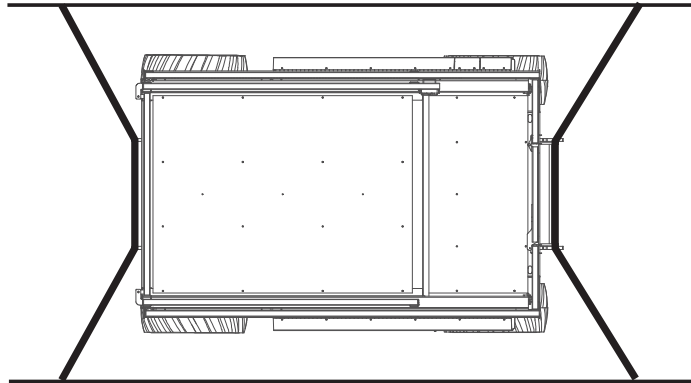
Use a minimum of two chains or straps.

Use chains or straps of ample load capacity.

Turn the key switch to the off position and remove the key before transporting.

Inspect the entire machine for loose or unsecured items.

If the railings have been folded down, secure them with straps before transporting.



TRANSPORT AND LIFTING INSTRUCTIONS



Center of gravity	X Axis	Y Axis
GS-2668 RT	85.2 cm	69.6 cm
GS-3268 RT	83.4 cm	73.0 cm

**Observe and Obey:**

- ☑ Only qualified riggers should rig and lift the machine.
- ☑ Be sure the crane capacity, loading surfaces and straps or lines are sufficient to withstand the machine weight. See the serial plate for the machine weight.

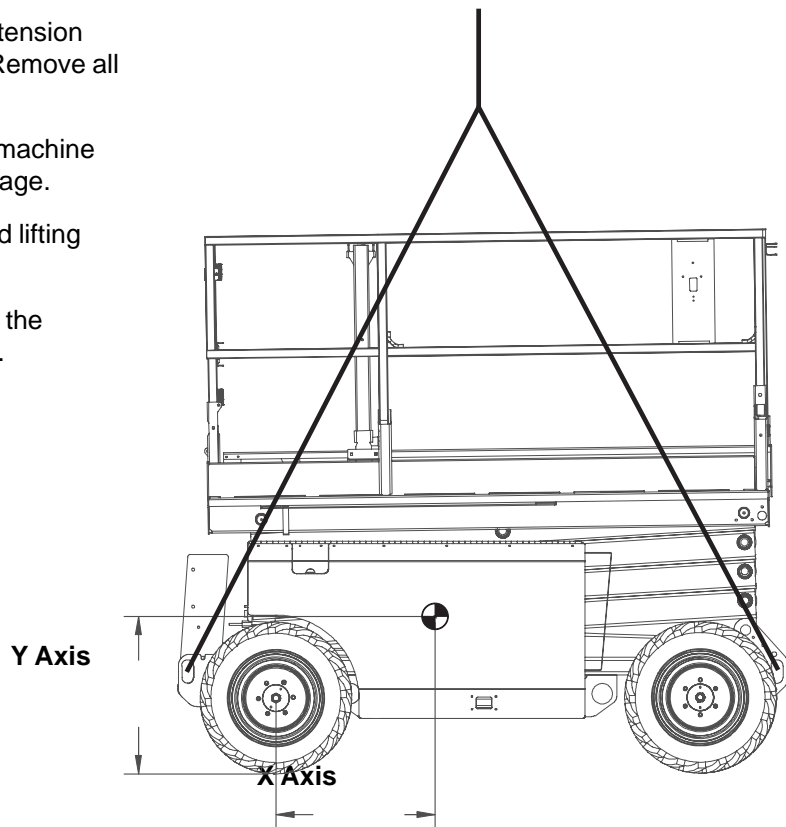
**Lifting Instructions**

Fully lower the platform. Be sure the extension deck, controls and covers are secure. Remove all loose items on the machine.

Determine the center of gravity of your machine using the table and the picture on this page.

Attach the rigging only to the designated lifting points on the machine.

Adjust the rigging to prevent damage to the machine and to keep the machine level.



# Decals

## Decals Inspection

Use the pictures on the next page to verify that all decals are legible and in place.

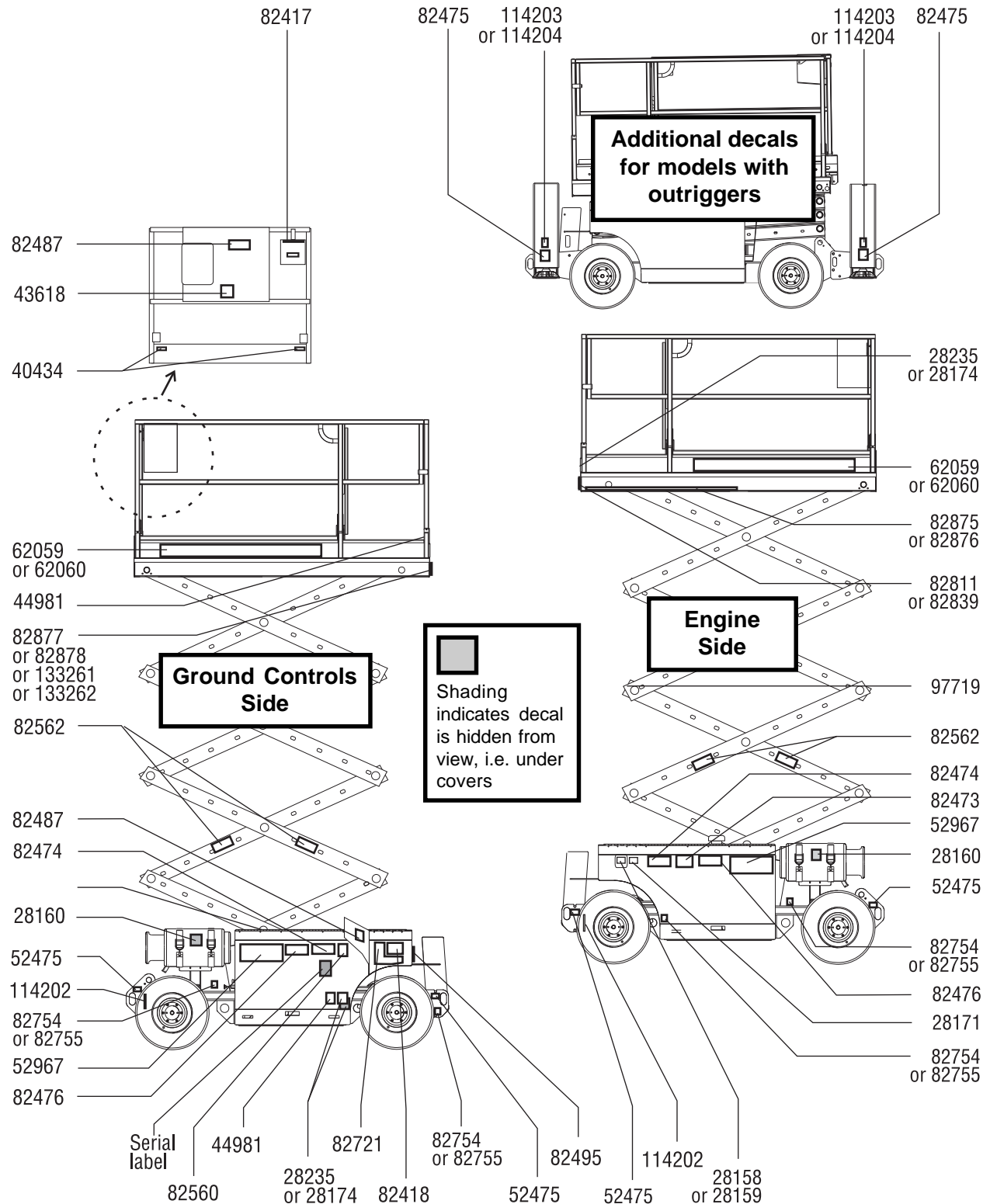
Below is a numerical list with quantities and descriptions.

Part No.	Description	Quantity
28158	Label - Unleaded	1
28159	Label - Diesel	1
28160	Label - LPG (1 additional with extra LPG tank option)	1
28171	Label - No Smoking	1
28174	Label - Power to Platform, 230V	3
28235	Label - Power to Platform, 115V	3
40434	Label - Lanyard Anchorage	2
43618	Label - Directional Arrows	1
44981	Label - Air Line to Platform	2
52475	Label - Transport Tie-down	4
52967	Cosmetic - 4x4	2
62059	Cosmetic - Genie GS-2668 RT	2
62060	Cosmetic - Genie GS-3268 RT	2
82417	Platform Control Panel	1
82418	Ground Control Panel	1
82473	Caution - Compartment Access	1
82474	Warning - Safety Chock	2
82475	Caution - Crushing Hazard	4
82476	Danger - Electrocutation Hazard	2

Part No.	Description	Quantity
82487	Label - Read the Manual	2
82495	Danger - Brake Release Safety	1
82560	Warning - Skin Injection Hazard	1
82562	Danger - Crushing Hazard	4
82721	Ground Control Panel	1
82754	Label - Wheel Load, GS-2668 RT	4
82755	Label - Wheel Load, GS-3268 RT	4
82811	Danger - Max Manual Force/Wind Speed, GS-2668 RT	1
82839	Danger - Max Manual Force/Wind Speed, GS-3268 RT	1
82875	Label - Capacity Indicator, GS-2668 RT (if equipped)	1
82876	Label - Capacity Indicator, GS-3268 RT (if equipped)	1
82877	Danger - Max Capacity, GS-2668 RT	1
82878	Danger - Max Capacity, GS-3268 RT	1
97719	Label - Safety Arm	1
114202	Label - Transport Diagram	2
114203	Label - Outrigger Load, GS-2668 RT	4
114204	Label - Outrigger Load, GS-3268 RT	4
133261	Label - Maximum Capacity, GS-2668 RT	1
133262	Label - Maximum Capacity, GS-3268 RT	1



DECALS



# Specifications

Model	GS-2668 RT
Height, working maximum	9.8 m
Height, platform maximum	7.9 m
Height, stowed maximum Rails up	2.3 m
Height, stowed maximum Rails lowered	1.7 m
Height, stowed maximum Rails off	1.2 m
Height, guard rails	1.1 m
Width	1.73 m
Length, platform retracted	2.67 m
Length, platform retracted Models with outriggers	3.3 m
Length, platform extended	4.2 m
Maximum load capacity models without capacity indicator	567 kg
Maximum load capacity models with capacity indicator	567 - 975 kg
Maximum wind speed	12.5 m/s
Wheelbase	1.85 m
Turning radius (outside)	3.7 m
Turning radius (inside)	1.5 m
Ground clearance	21 cm
Weight (Machine weights vary with option configurations)	See Serial Label
Controls	Proportional
AC outlet in platform	standard

Platform dimensions	
Platform length x width	2.5 x 1.5 m
Platform extension length	1.07 m
Drive speeds	
Stowed, maximum	6.1 km/h
Platform raised, maximum	0.8 km/h 12.2 m/54.6 sec
Airborne noise emissions Maximum sound level at normal operating workstations (A-weighted)	80 dB
Maximum hydraulic pressure (functions)	241.3 bar
Tires size	26 x 12 x 380
<b>Maximum slope rating, stowed position</b>	40% (22°)
<b>Maximum side slope rating, stowed position</b>	40% (22°)
Note: Slope rating is subject to ground conditions and adequate traction.	
Floor loading information	
Tire load, maximum	934 kg
Outrigger load, maximum (if equipped)	2591 kg
Tire contact pressure	8.05 kg/cm <sup>2</sup> 789 kPa
Occupied floor pressure	788 kg/m <sup>2</sup> 7.73 kPa

Note: Floor loading information is approximate and does not incorporate different option configurations. It should be used only with adequate safety factors.

Continuous improvement of our products is a Genie policy.  
Product specifications are subject to change without notice or obligation.



## SPECIFICATIONS

<b>Model</b>	<b>GS-3268 RT</b>
Height, working maximum	11.8 m
Height, platform maximum	9.8 m
Height, stowed maximum Rails up	2.5 m
Height, stowed maximum Rails lowered	1.8 m
Height, stowed maximum Rails off	1.3 m
Height, guard rails	1.1 m
Width	1.73 m
Length, platform retracted	2.67 m
Length, platform retracted Models with outriggers	3.3 m
Length, platform extended	4.2 m
Maximum load capacity models without capacity indicator	454 kg
Maximum load capacity models with capacity indicator	454 - 919 kg
Maximum wind speed	12.5 m/s
Wheelbase	1.85 m
Turning radius (outside)	3.7 m
Turning radius (inside)	1.5 m
Ground clearance	21 cm
Weight (Machine weights vary with option configurations)	See Serial Label
Controls	Proportional
AC outlet in platform	standard

**Platform dimensions**

Platform length x width	2.5 x 1.5 m
Platform extension length	1.07 m

**Drive speeds**

Stowed, maximum	6.1 km/h
Platform raised, maximum	0.8 km/h 12.2 m/54.6 sec

Airborne noise emissions Maximum sound level at normal operating workstations (A-weighted)	80 dB
--	-------

Maximum hydraulic pressure (functions)	241.3 bar
---	-----------

Tires size	26 x 12 x 380
------------	---------------

**Maximum slope rating, stowed position**

Diesel model	35% (19°)
Gasoline/LPG model	30% (17°)

**Maximum side slope rating, stowed position**

Diesel models	35% (19°)
Gasoline/LPG models	30% (17°)

Note: Slope rating is subject to ground conditions and adequate traction.

**Floor loading information**

Tire load, maximum	1048 kg
Outrigger load, maximum (if equipped)	2938 kg
Tire contact pressure	9.03 kg/cm <sup>2</sup> 885 kPa
Occupied floor pressure	931 kg/m <sup>2</sup> 9.13 kPa

Note: Floor loading information is approximate and does not incorporate different option configurations. It should be used only with adequate safety factors.

Continuous improvement of our products is a Genie policy.  
Product specifications are subject to change without notice or obligation.



---

**Genie Scandinavia**  
**Phone** +46 31 575100  
**Fax** +46 31 579020

---

**Genie France**  
**Phone** +33 (0)2 37 26 09 99  
**Fax** +33 (0)2 37 26 09 98

---

**Genie Iberica**  
**Phone** +34 93 579 5042  
**Fax** +34 93 579 5059

---

**Genie Germany**  
**Phone** +49 (0)4202 88520  
**Fax** +49 (0)4202 8852-20

---

**Genie U.K.**  
**Phone** +44 (0)1476 584333  
**Fax** +44 (0)1476 584334

---

**Genie Mexico City**  
**Phone** +52 55 5666 5242  
**Fax** +52 55 5666 3241

**Genie North America**  
**Phone** 425.881.1800  
**Toll Free** USA and Canada  
800.536.1800  
**Fax** 425.883.3475

---

**Genie Australia Pty Ltd.**  
**Phone** +61 7 3375 1660  
**Fax** +61 7 3375 1002

---

**Genie China**  
**Phone** +86 21 53852570  
**Fax** +86 21 53852569

---

**Genie Malaysia**  
**Phone** +65 98 480 775  
**Fax** +65 67 533 544

---

**Genie Japan**  
**Phone** +81 3 3453 6082  
**Fax** +81 3 3453 6083

---

**Genie Korea**  
**Phone** +82 25 587 267  
**Fax** +82 25 583 910

---

**Genie Brasil**  
**Phone** +55 11 41 665 755  
**Fax** +55 11 41 665 754

---

**Genie Holland**  
**Phone** +31 183 581 102  
**Fax** +31 183 581 566

Distributed by: