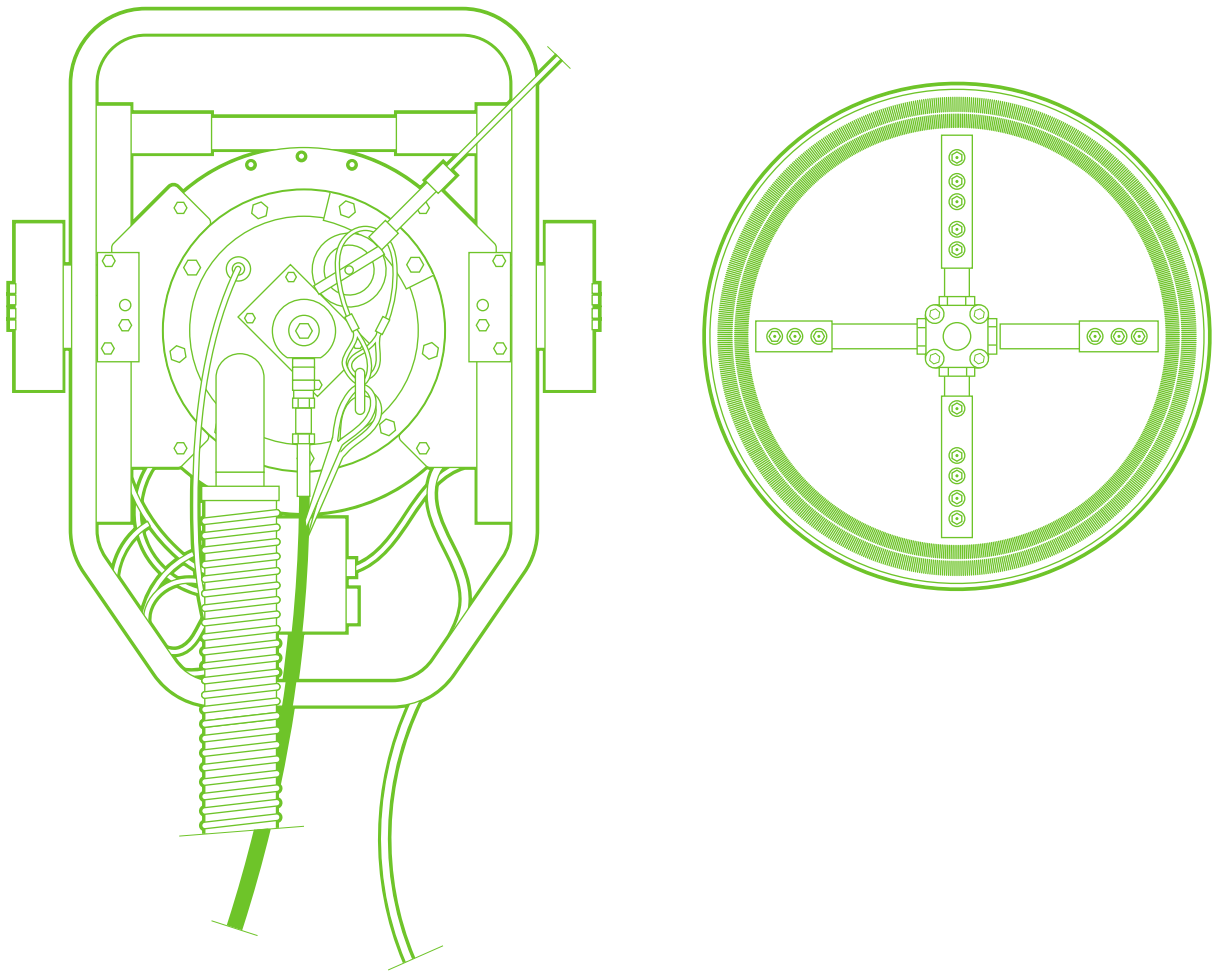


HIGH PRESSURE WATER JETTING ACCESSORIES

SURFACE PREPARATION



Model Hammelmann Spiderjet 3000

Application Crawler robot for steel surface preparation.

Configuration Vacuum adherence

Max. Pressure 3000 Bar

Max. Flow 50 Liter/Min

Dimensions (LxW) 775x780mm

Weight 105kg

Max. Cleaning Width 374mm

Average Vacuum Capacity 1500m³/hr @ 50% Vacuum

✓ **SIR Approved.**

✓ **Remote Controlled.**

Complete your water jetting setup with our rental line up of **high pressure pumps from 350-3000 bar** and **vacuum equipment** up to 8000 m³/hr.

For safe operation, please consider our comprehensive range of specialised **TST safety PPE and accessories.**